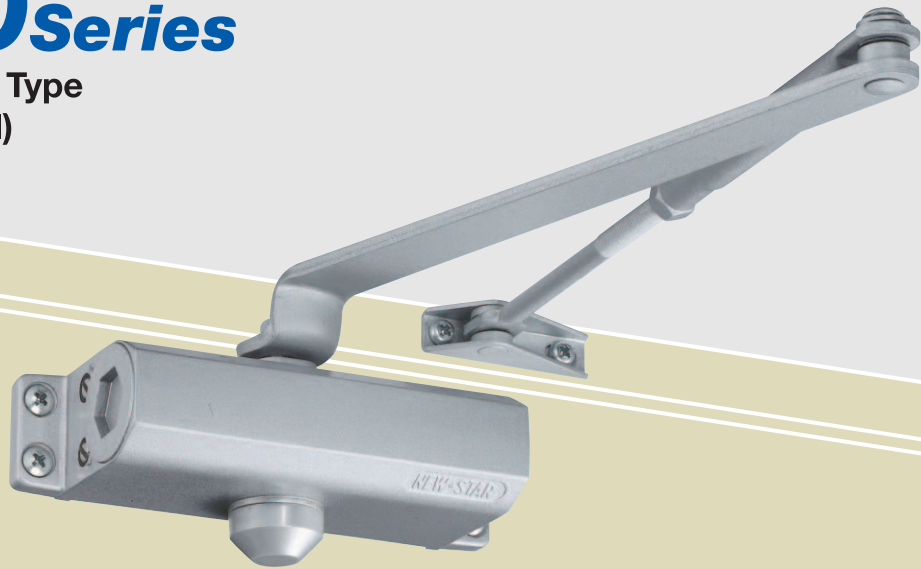


DOOR CLOSERS



ZA-80 Series

Surface Mounting Type
(Export use model)



Standard Installation

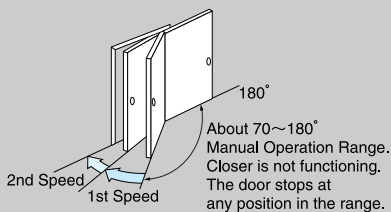
Right-hand application shown.

Door Closing Speed Adjustment

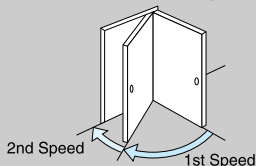
Closing Speed Adjusting Valves

Trouble-free adjusting of speeds by simply turning the speed adjusting valves to the right or left.

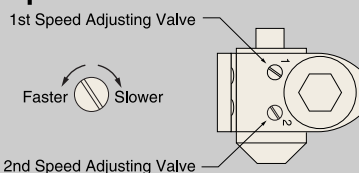
With Hold-open Type



Without Hold-open Type



Adjustment of 1st and 2nd Speeds



Parallel Installation



Colors

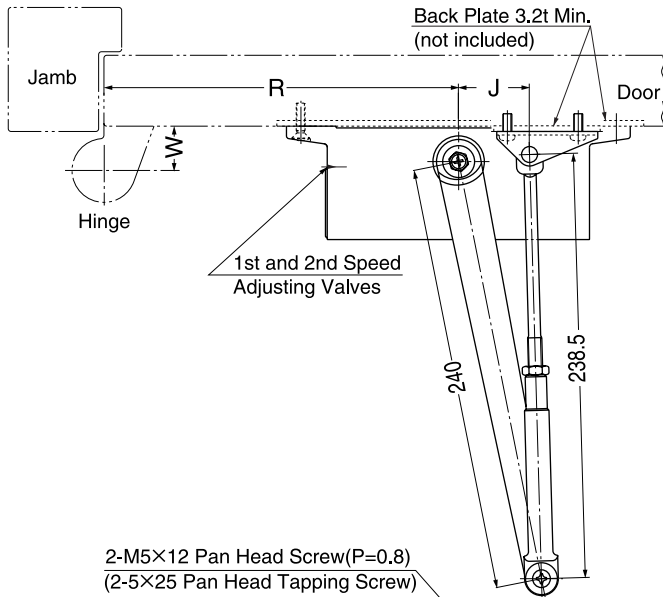
- Silver (N-01)
- Burnt Umber (N-52)

- A body of built-in stop type is used.
- A horizontal door closer refined by continued research into a product of the finest quality.
- Different models to fit different door sizes. Further, a choice can be made between a closer with or without a hold-open device.
- Simple inversion of the main body (turning upside-down) allows installation on both right and left hand doors.

Model Number						Applicable Door Dimensions DW×DH mm	Maximum Door Weight kg
Standard Installation				Parallel Installation			
Without Hold-open		With Hold-open		Without Hold-open	With Hold-open		
ZA-81	ZA-81N	ZA-181	ZA-181N	ZA-P81	ZA-P181	800×1800	30
ZA-82	*ZA-82N	ZA-182	ZA-182N	ZA-P82	ZA-P182	900×2100	45
*ZA-83	—	ZA-183	—	ZA-P83	ZA-P183	950×2100	65
ZA-84	—	ZA-184	—	—	—	1050×2400	85

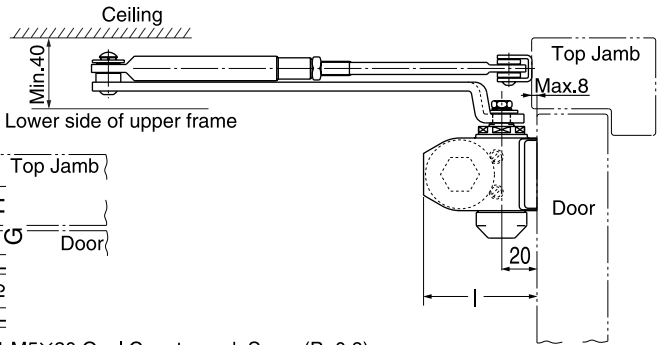
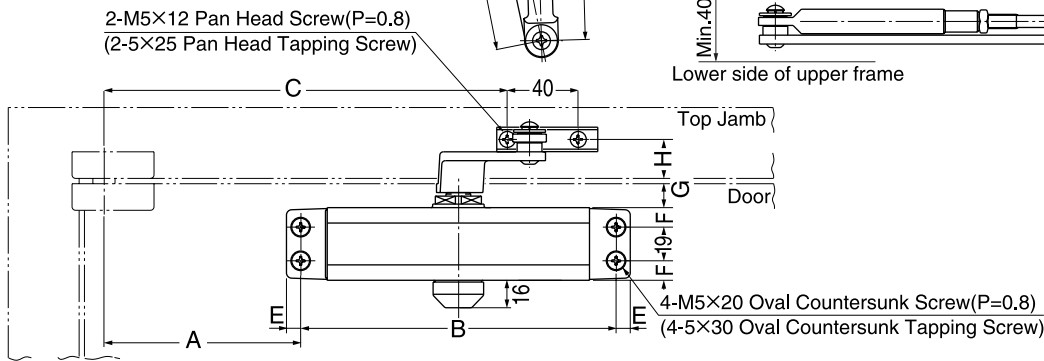
(Note) • The maximum door opening angle of the ZA-81 is 135°, that of the ZA-82 is 150°, and that of any other model is 180°.
• Those models marked with an asterisk (*) have been certified "CERTIFICATE FOR CHINA COMPULSORY PRODUCT CERTIFICATION"

Standard Installation

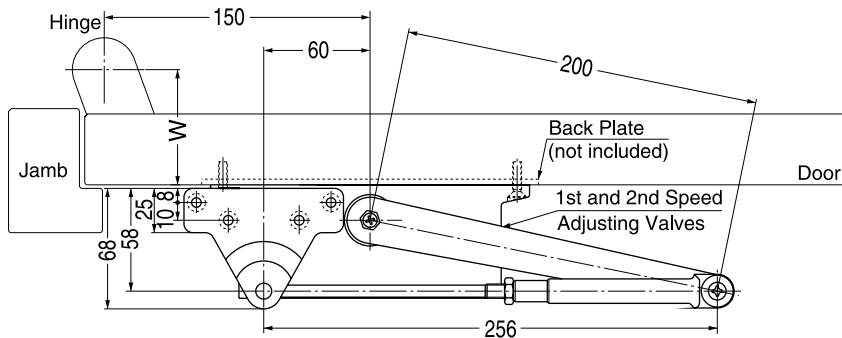


	A	B	C	E	F	G	H	I	J	R	W
ZA-81	170	120	257.5	7	8.5	13.5	22	59	61	40	230
ZA-181	140		227.5								200
ZA-82	147	247.5	220								
ZA-182	127	146	227.5	9.5							200
ZA-83	111	178	227.5	8	11						200
ZA-183					13						
ZA-84	105	190									
ZA-184											
ZA-81N	41	178	170	8	11	15	17	64	52.5	130	6 25
ZA-181N					13						
ZA-82N	45	190	180					67.5		140	
ZA-182N											

Right-hand application without hold-open shown.

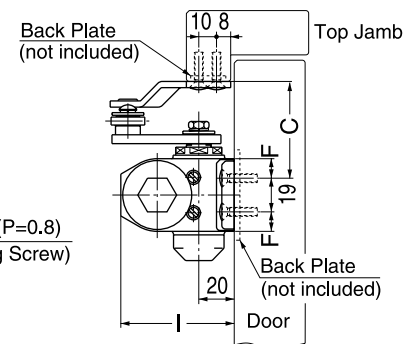
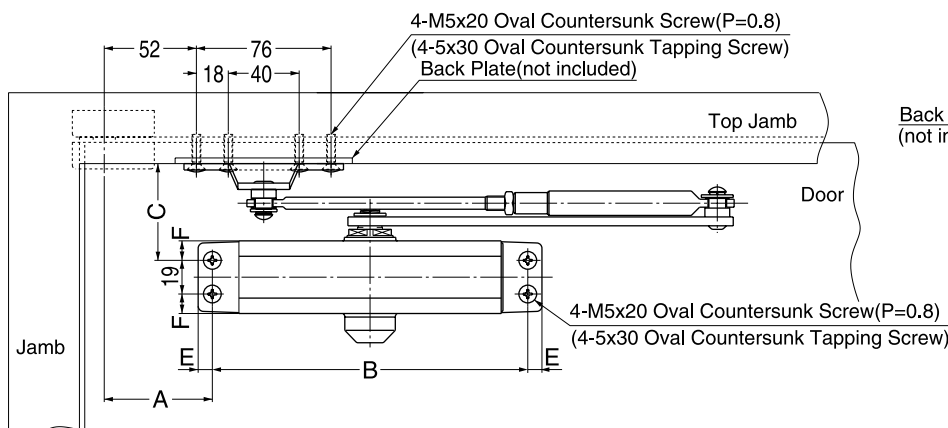


Parallel Installation



	A	B	C	E	F	I	W
ZA-P81	90	120	53	7	8.5	59	90 Max
ZA-P181							
ZA-P82	77	146	54		9.5		
ZA-P182							
ZA-P83	61	178	56	8	11	64	
ZA-P183							

Left-hand application without hold-open shown.



NEW★STAR NIPPON DOOR CHECK MFG. CO., LTD.

SINCE 1919

Tokyo Head Office <Overseas Operation Division>
27-9, 1-chome, Ryusen, Taito-ku, Tokyo 110-0012, Japan
TEL: +81-3-5603-7948 Fax: +81-3-3875-6823
E-mail: trade@e-newstar.co.jp

Branches: Sapporo, Sendai, Kanazawa, Shizuoka, Nagoya, Hiroshima, Takamatsu, Fukuoka

Actual product appearance may differ slightly from that shown.
Product descriptions and specifications may change without prior notice.
Copyright © Nippon Door Check Mfg. Co., Ltd.